

### PRODUCT DESCRIPTION

TC 65TEN EN 54-24 Voice Alarm ceiling loudspeaker is designed for flush in suspended ceiling and ideal for even sound distribution. The loudspeaker has a built-in protection to ensure that, in the event of a fire, damage to the loudspeaker does not result in failure of the loudspeaker circuit which is connected. In this way, system integrity is maintained and ensuring loudspeakers connected in the same circuit in other areas can still be used to inform people of the situation.

The loudspeaker can be easily installed by using the mounting spring attached. Likewise, the fire dome is mounted in the speaker openings on the ceiling panel by using the sliding brackets and the wing nuts as first-fix. L-VCM6B/EN( C) is equipped with ceramic terminal blocks, thermal fuse and heat-resistant, high-temperature wiring to comply with EN54 part 24.

The loudspeaker is available with or without capacitor (L-VCM6A/EN).

### TECHNICAL SPECIFICATIONS

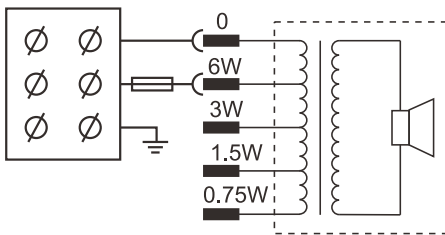
Model	L-VCM6B/EN(C)
Max power	9 W
Rated power	6 W
Power taps @ 100V	6 W / 3 W / 1.5 W / 0.75 W
Power taps @ 70V	3 W / 1.5 W / 0.75 W / 0.375 W
SPL (1W / 1m, 100 Hz - 10k Hz)	91 dB
SPL (1W / 4m, 100 Hz - 10k Hz)	79 dB
SPL (6W / 4m, 100 Hz - 10k Hz)	88 dB
Frequency response ( - 10 dB )	180 Hz - 20k Hz
Dispersion angle ( 1k Hz / -6 dB )	175°
Rated input voltage	100 V / 70 V
Rated impedance	1.7k $\Omega$ / 3.3k $\Omega$ / 6.7k $\Omega$ / 13k $\Omega$
Connection	Ceramic terminal
Dimensions	$\Phi$ 181 mm $\times$ 129 mm
Hole cut-out size	$\Phi$ 155 mm
Diameter of speaker	5"
Weight	1.29 kg
Front grill color	White ( RAL9003 )
Dome color	Red ( RAL3000 )
Thermal fuse	150°
DC Blocking capacitor	Yes (2.2uF)

FREQUENCY RESPONSE AT dBspl(20uPa)@4m,1W/41.2V INPUT,1/3 OCT SMOOTHING

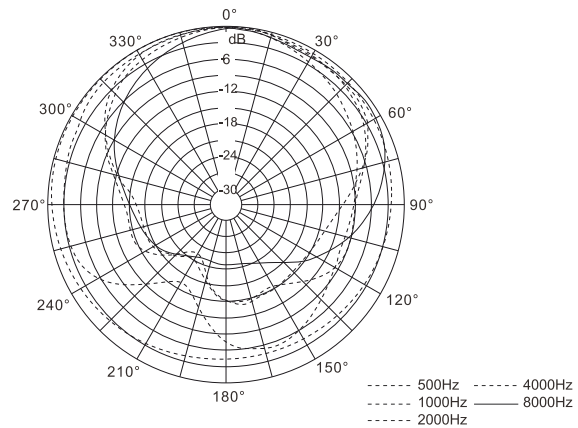
sound level ( dB )

Frequency (Hz)

### CIRCUIT DIAGRAM



### POLAR DIAGRAM



### THREE-VIEW DIAGRAM

