

PS-20T



The horn speaker PS-20T of LDA has been designed in order to work under adverse environmental conditions. It is possible thanks to the material which is built: ABS with UV protection and Stainless steel covered with Epoxi resin.

The PS-20T has got a high sensitivity and directivity, both of them make it suitable for cover large surface, it means, it could be installed in Outdoors, Parkings, Sport Centres, etc.

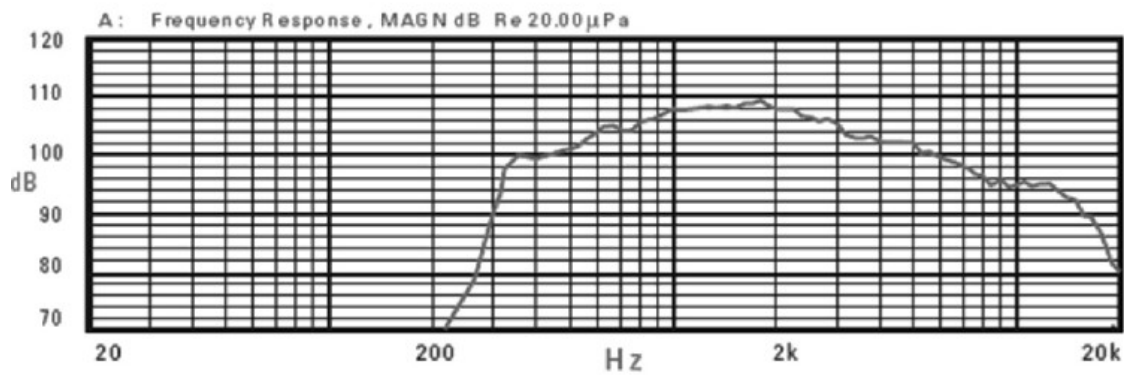
Features:

- Built in ABS with UV protection
- U shape bracket made on stainless steel
- High sensitivity
- IP protection: IP-66
- Indicate for train stations, sport centres, parkings, indoor/outdoor swimming-pools.
- Power taps (100/70V transformer): 20 / 10 / 5 / 2.5 W @ 100V

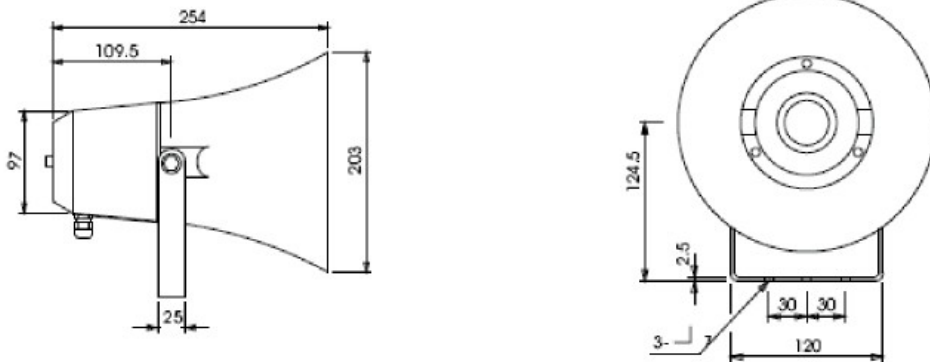
TECHNICAL SPECIFICATIONS	
NOMINAL POWER	20W RMS
FREQUENCY RESPONSE	250Hz - 8 kHz (+/- 5 dB)
SENSITIVITY	101 dB (1W, 1m)
DISPERSION (for 1,000 Hz)	130° H x 70° V
COLOUR	RAL 7035
TRANSFORMER	20 / 10 / 5 / 2.5 W @ 100V 10 / 5 / 2.5 / 1.25 W @ 70V
BRACKET	U shape and adjustable
MATERIAL	ABS with UV protection
DIMENSIONS (width x height x depth)	203 x 203 x 254 mm
WEIGHT	1.7 kg

PS-20T

Frequency Response:



Main mechanical views:



Metric Units: mm

Circuit diagram:

