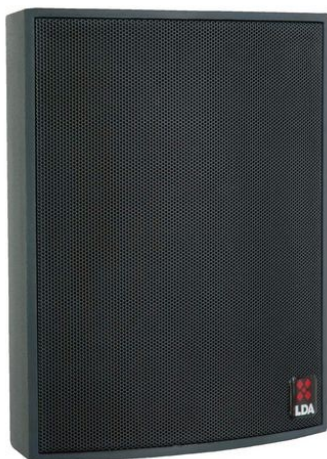




PRO-25T



The PRO-25T is a professional acoustic box, which is compound by a 5" PP woofer and a 1" PC tweeter.

The enclosure is made in ABS halogen free and for low resonance. The grille is transparent acoustically.

It has a large frequency range: 100Hz – 20kHz.

It could be installed by different model brackets: adjustable and fixed.

Features:

- High performance: 89 dB (1W, 1m)
- High quality of music and voice playback.
- Low losses transformer
- Grille transparent acoustically
- Colour: Black RAL 9005
- Pressure connector or anti-vandalism stuffing box

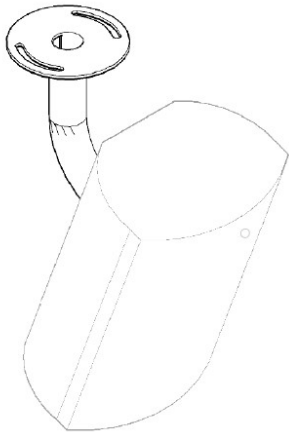
TECHNICAL SPECIFICATIONS	
NOMINAL POWER	15 W RMS
FRQUENCY RESPONSE	100 Hz- 20 kHz (+/- 10dB)
SENSITIVITY	89 dB (1W, 1m)
SPEAKER IMPEDANCE	4 Ω
DISPERSION	Conical 90°
TRANSFORMER (70/100V)	5/10W @70V 10/5W @ 100V
CONNECTOR	Anti-vandalism stuffing box or pressure connector
DIMENSIONS (height x width x depth)	250 x 194 x 120 mm
WEIGHT	2.5 kg

PRO-25T

Installation requirements:

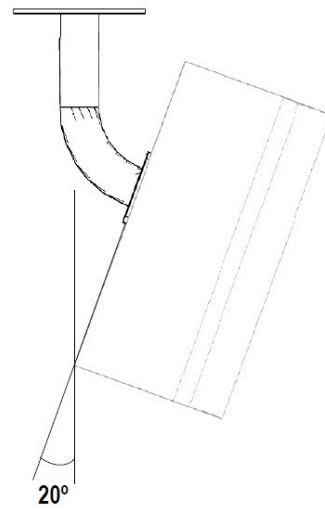
Brackets for mounting

- Bracket fixed on ceiling:



There are two different heights for this bracket: 164mm and 533mm.

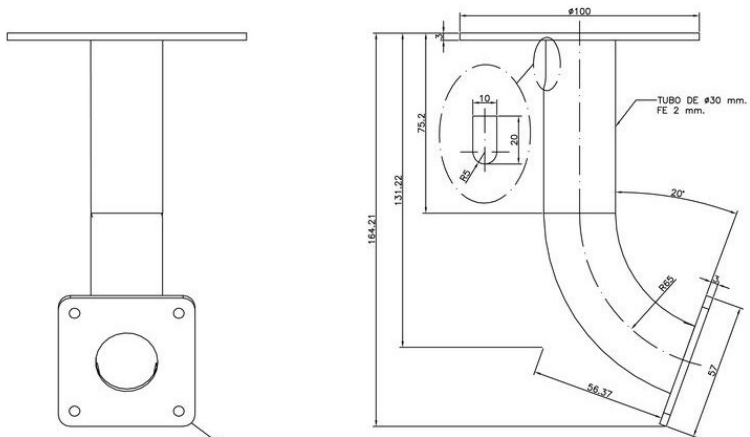
* The height could be modified if it is required.



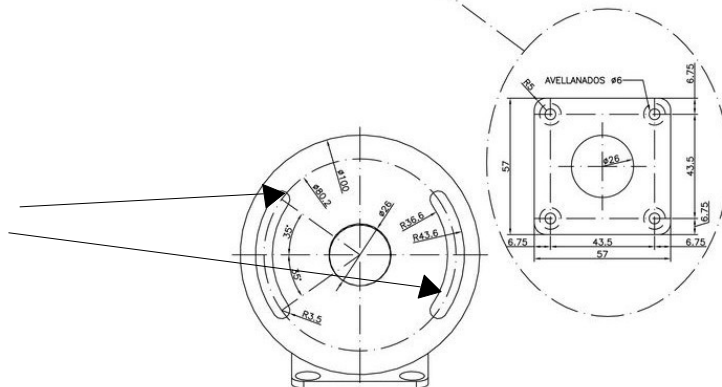
Dimensions:

Slotted holes for fixing on ceiling.

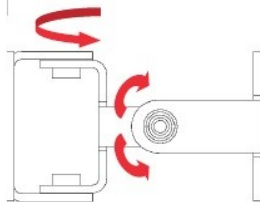
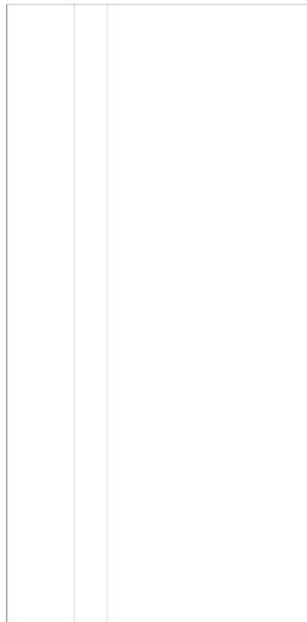
Countersunk holes for plastic thread screws. The bracket is installed into the rear acoustic box mechanically.



Slotted holes:
Ø 7mm x 70°



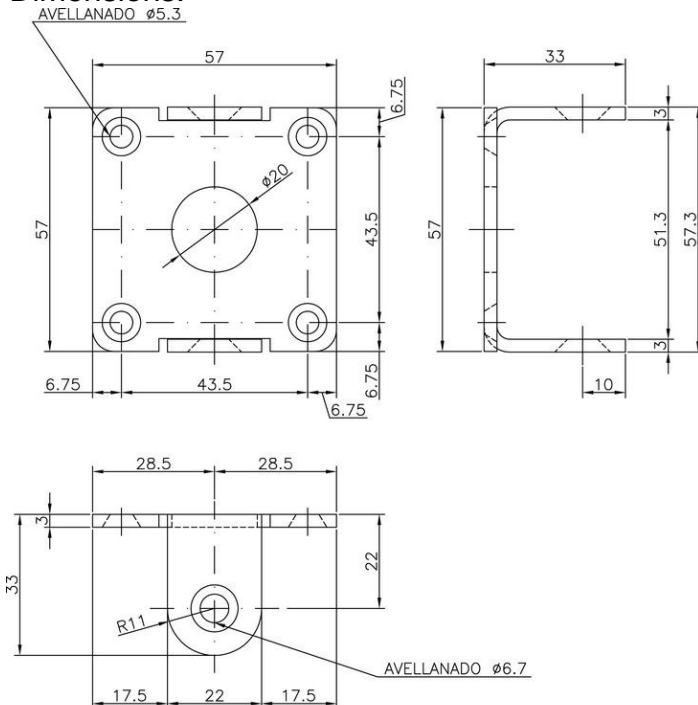
– **Adjustable bracket:**



The Bracket is fixed on the ceiling or wall by screws. The relative turn between the box and the wall is over $\pm 180^\circ$. The turn could be vertical or horizontal.

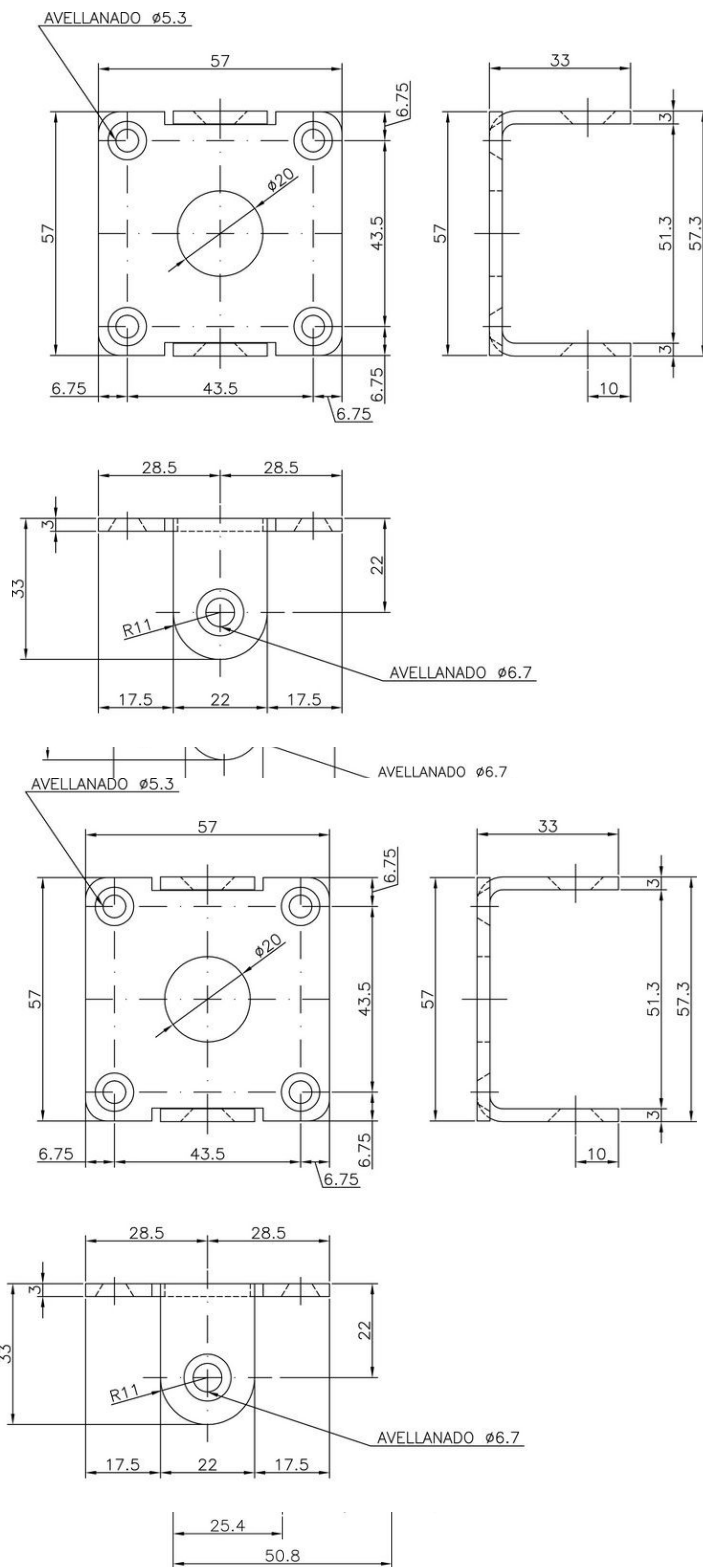
$\pm 180^\circ$ vertical turn
 $\pm 180^\circ$ horizontal turn

Dimensions:



Holes for plastic thread screws. This piece is installed into the rear acoustic box mechanically.

PRO-25T



The fixing into ceiling or wall is made by four 5,3mm diameter countersunk holes.

The central piece is installed between the pieces described above by means M5 screws.

PROFESSIONAL ACOUSTIC BOXES

PRO-25T

- Fixed bracket. U shape

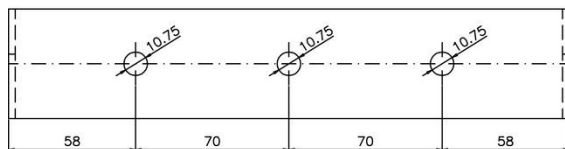
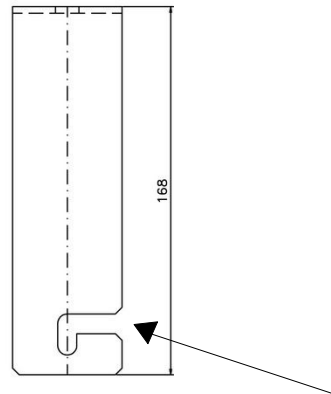
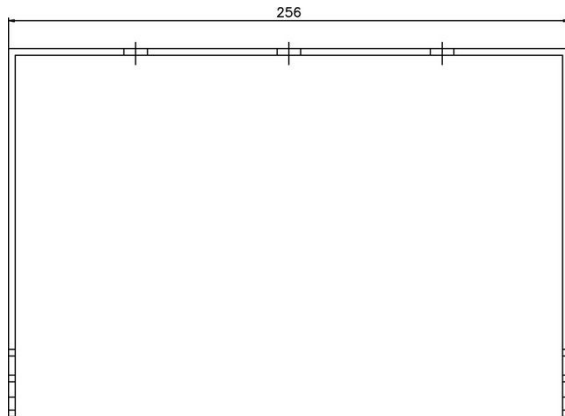


The bracket is fixed on the ceiling or wall by screws.

The installation on ceiling or wall is possible due to the bracket has got three holes in the bigger wing.

The smaller wings are provided by drill holes for mounting the acoustic box.

Dimensions:



The slotted holes are placed into both smaller wings. It allows the installation of this bracket into both bases of acoustic box.

PRO-25T

SPECIFICATIONS FOR ENGINEERS AND ARCHITECTS

The speaker will be compound by a 5" PP woofer, a 1" PC tweeter and a crossover filter. It will be connected to 70 and 100V lines. The range of frequencies that it will cover is comprised between 100 Hz and 20 Khz with a 89 dB sensitivity, which is measured to 1W and 1m.

The speaker will be installed vertically, where the dispersion will be.. °

The enclosure will be made in ABS with a metallic grille transparent acoustically. The available colours will be black (RAL 9005).

The shape of the box will be a 1/8 part of a 240mm radius cylinder. The dimensions will be 250 x 194 x 120 mm (height x width x depth). It will be installed in different brackets: adjustable or fixed bracket and U shape bracket.

The weight of the acoustic box will be 2.5 kg.

All the version of this product will fulfill the CE marked.

Warranty 2 years

Prodcut Code LDAPRO25TS03

Sound Tests:

1. Power:

Pink noise is introduced and amplified trough the whole band width obeying the standar IEC 60268-5. If the maximum power or the speaker is reached, the noise is cut. Then, the speaker is checked. It must not present visible damages or losses of features 100 hours or working.

2. Sensitivity, frequency range and impedance.

It is introduced several sinusoidal impulses which have different frequency to 1W of power level from the nominal impedance of the speaker. The average sound pressure level (dB-SPL) is measured to 1 metre of distance with regard to the speaker in a anecoic environment.