



# LS-31T



The LS-31T of LDA is a high performance acoustic box, which is compound by a 3.5" woofer and a 1/2" tweeter. It has got a crossover filter in order to get a balanced frequency response.

The enclosure is made of Polyestiren of High Impact, which is halogen free. The metallic grille is transparent acoustically.

There are some kinds of bracket for mounting it. They could be adjustable or fixed.

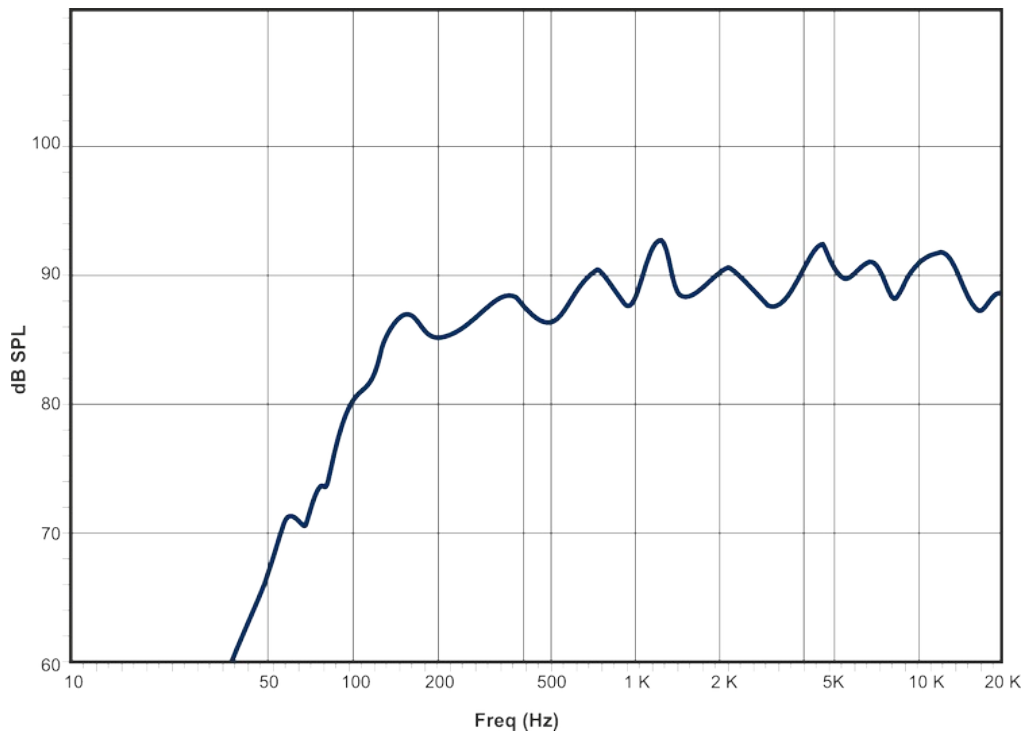
## Features:

- High performance: 89 dB (1W, 1m)
- Excellent quality of music and voice playback.
- Metallic grille transparent acoustically.
- Colorus: Black RAL 9005 and White RAL 9003
- Power taps selector
- Quick plug connector

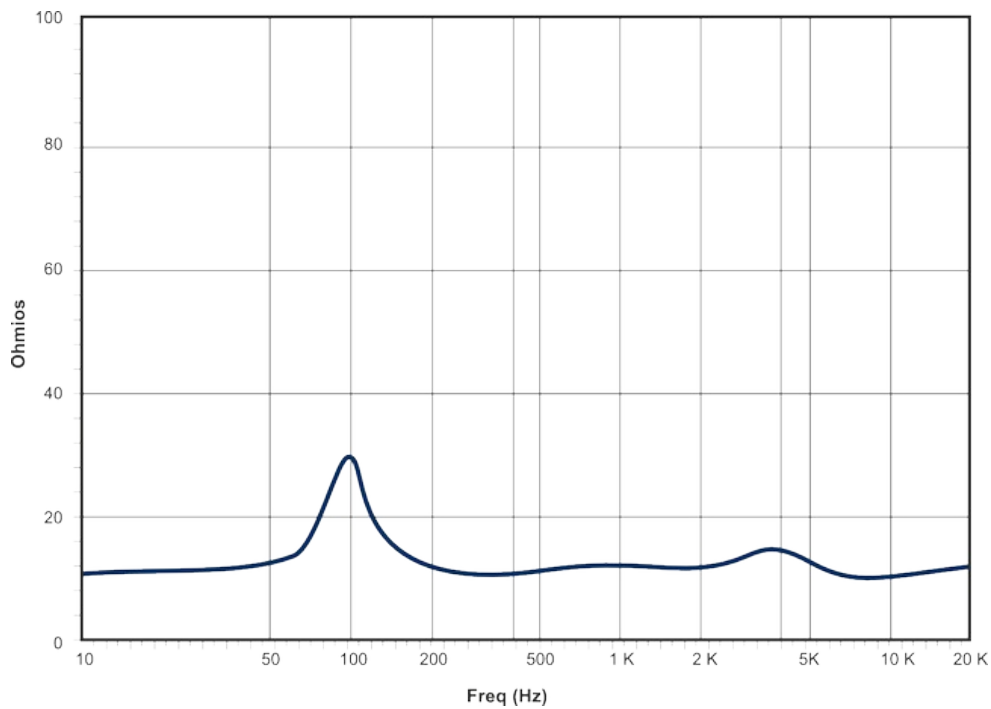
TECHNICAL SPECIFICATIONS	
NOMINAL POWER	15 W RMS
FREQUENCY RESPONSE	100Hz- 20kHz
SENSITIVITY	88 dB +/- 3 dB
SPEAKER IMPEDANCE	8 Ω
DISPERSION	90° horizontally / 80° vertically
TRANSFORMER (70/100V)	15/10/5/2.5 W @ 100V 15/10/5/2.5/1.25 W @ 70V
CONNECTOR	2 x Banana / Direct cable
DIMENSIONS (height x width x depth)	130 x 197 x 115 mm
WEIGHT	1.7 kg

# LS-31T

## Frequency response:



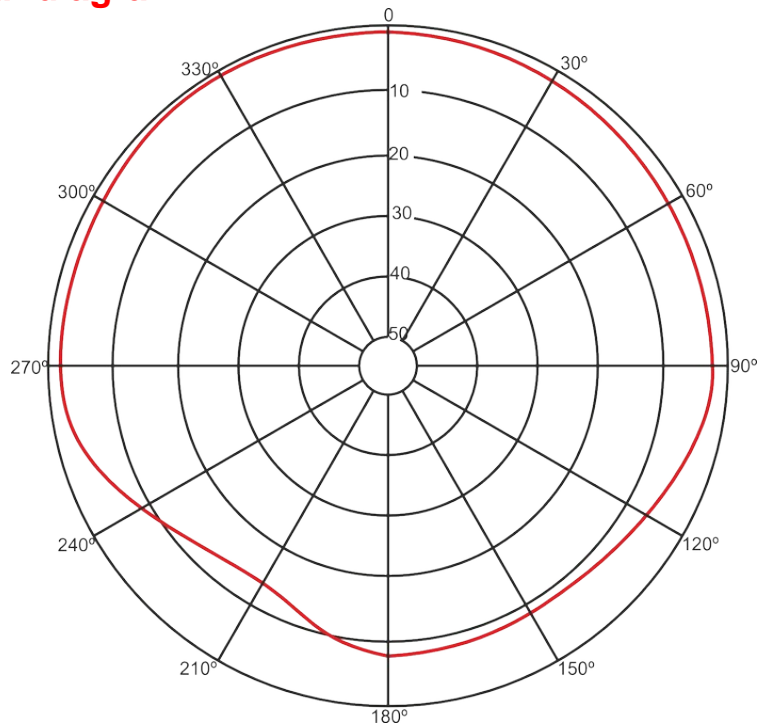
## Impedance. 8 $\Omega$



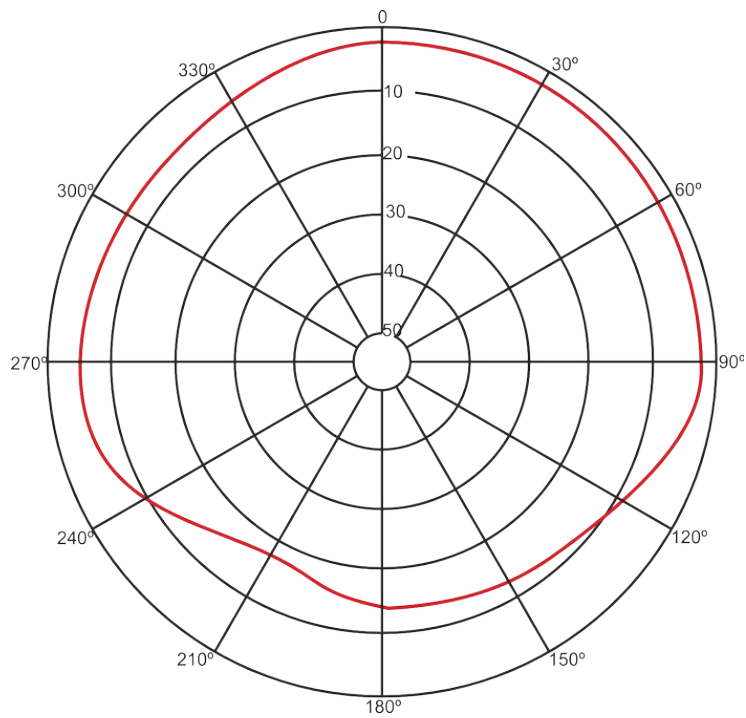
# LS-31T

ACOUSTIC BOXES

## Horizontal polar diagram:



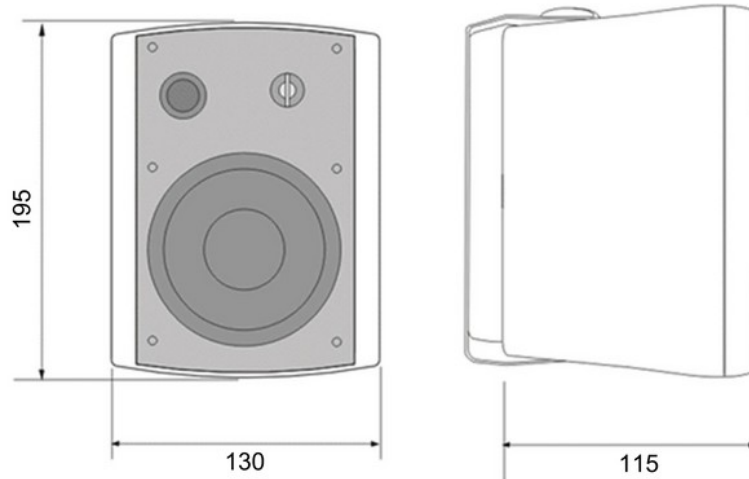
## Vertical polar diagram:



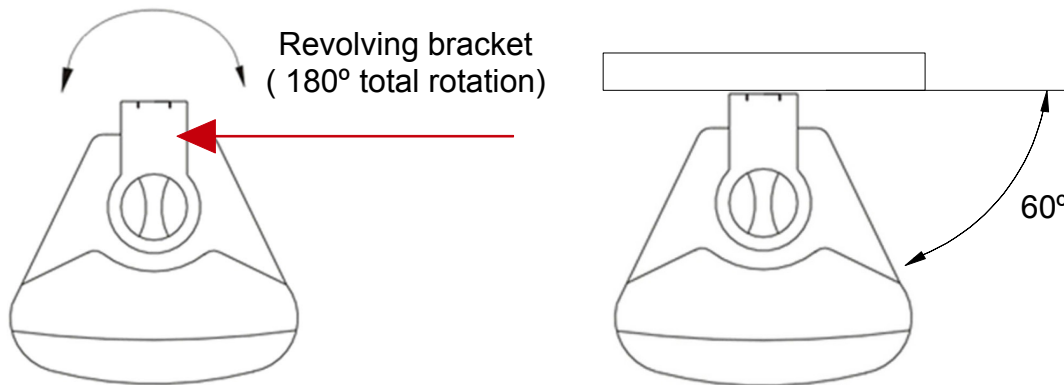
# LS-31T

## Mechanical Drawings:

Dimensions in mm

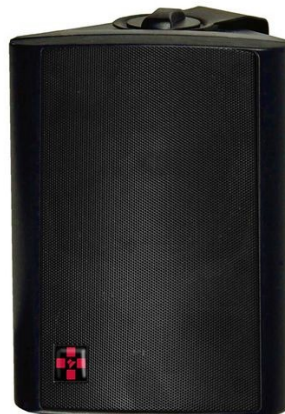


## U shape bracket:



Vertical position

Horizontal position



# LS-31T

## SPECIFICATIONS FOR ENGINEERS AND ARCHITECTS

The speaker will be compound by a 3.5" woofer, a 1" tweeter and a crossover filter. It will be connected to 70 and 100V lines. The range of frequencies that it must cover will be comprised between 200Hz and 18 kHz with a 88 dB sensitivity measured to 1W and 1m.

The speaker will be installed horizontally and vertically, where the dispersion will be 90° and 80° respectively.

The enclosure will be made in Polystyren of High Impact with a metallic grille transparent acoustically. The available colours will be white (RAL 9003) and Black (RAL 9005).

The shape of the box will be a 1/6 part of a cylinder. It will be provided by an adjustable bracket, which has U shape and could rotate until 90° angle.

All the versions of this product will fulfill the CE marked.

**Warranty:** 2 years

**Product Code:** LDALS31TS01

### Sound Tests:

1. Power:

Pink noise is introduced and amplified trough the whole band width obeying the standar IEC 60268-5. If the maximum power or the speaker is reached, the noise is cut. Then, the speaker is checked. It must not present visible damages or losses of features 100 hours or working.

2. Sensitivity, frequency range and impedance.

It is introduced several sinusoidal impulses which have different frequency to 1W of power level from the nominal impedance of the speaker. The average sound pressure level (dB-SPL) is measured to 1 metre of distance with regard to the speaker in a anecoic environment.