

PS-30T

Ref: LDAPS30TS01

The LDA PS-30T is an horn speaker designed to cover big areas due to its high sensitivity and directivity.

It is made of ABS with UV protection and stainless steel covered with epoxy resin that provides a very high resistance to the speaker and makes it ideal for exterior (IP66). The power taps are 30/15/7.5/3.75W @ 70/100V lines or low impedance (8").

The features of the system, allowed it to cover the audio needs in mediums venues such as railway stations, sport stadiums, parking and inside/ outside swimming pools.



Features of PS-30T:

- Horn speaker made in ABS with UV protection
- Power tap selector (70/100V lines)
- Bracket with U shape made of stainless steel.
- High sensitivity: 113dB (1W, 1m)
- Protection rate: IP 66

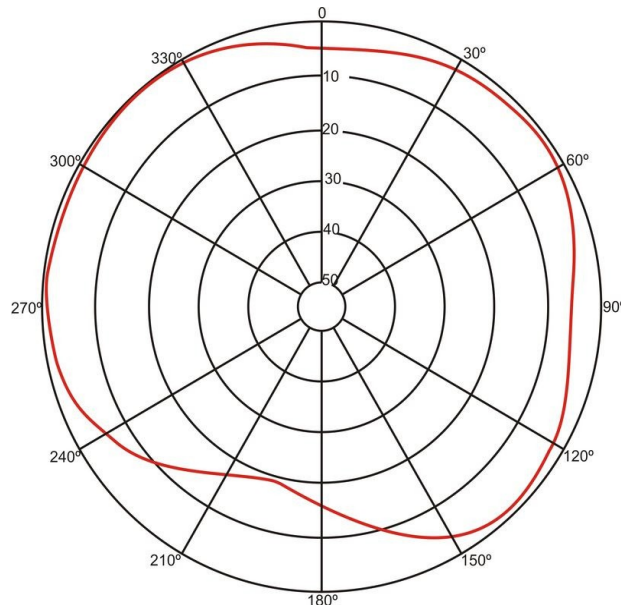
Technical Specifications:

Model	PS-30T
Reference	LDAPS30TS01
Nominal power	30 W RMS
Frequency response	250-8.000 Hz +/-5dB
Sensitivity	113 dB (1 W, 1 m)
Dispersion (1.000 hz)	130° H x 70° V
Colour	RAL9003
IP protection grade	IP66
Transformer @ 70v/100v	30 / 15 / 7.5 / 3.75 W
Bracket	Adjustable bracket U shape
Material	ABS with UV protection
Dimensions (width x height x depth)	285 x 205 x 280 mm
Weight	1.85 kg

PS-30T

Ref: LDAPS30TS01

Vertical Polar Diagram:



Horizontal Polar Diagram:

