

PCM-20TN

Ref: LDAPCM20TNS02

EN 54-24 certified 5" acoustic projector for high quality 70 / 100V lines of background music and voice messages with anti-vandal and weather protection features.

Thanks to its 3mm thick aluminum casing and its steel grille, it is fire rated and it is optimal for installation in areas where the durability of the elements is a factor to be considered. It incorporates a ceramic terminal and insulation fuse so that possible damage to the unit does not cause a general failure of the speaker circuit to which it is connected.

The PCM-20TN project speaker includes a steel U-bracket, with adjustable inclination for an easy installation, having the same color as the unit.



Features:

- Surface Speaker for Voice Evacuation
- Metal cabinet
- Protected against fire. EN 54-24 certified
- Excellent for music and voice playback
- Easy installation

Technical specifications:

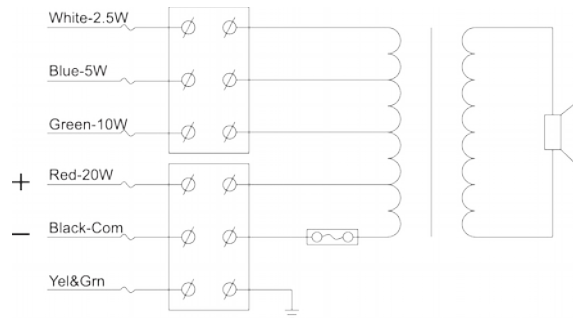
Model	PCM-20TN			
Reference	LDAPCM20TNS02			
Speaker diameter	5"			
Maximum Power	30 W			
Nominal Power	20 W rms			
Connection @ 100 V	20 W / 10 W / 5 / 2.5W			
Connection @ 70 V	10 W / 5 W / 2.5 W / 1.25 W			
SPL (Pmax / 1m)	101 dB +/- 1dB			
SPL (1W / 1m)	89 dB +/- 1dB			
SPL (1W / 4m)	77 dB +/- 1dB			
Frequency Response (- 10 dB)	130 Hz - 20 KHz			
Dispersion angle (- 6 dB)	500Hz	1000 Hz	2000 Hz	4000Hz
	360°	120°H 180°V	80°H 100°V	50°H 60°V
Nominal voltage	100 V / 70 V			
Nominal impedance	500 Ω / 1 KΩ / 2 KΩ / 4KΩ			
Connection	Ceramic Terminal. Max Section 2.5mm ²			
Thermal fusion	150°			
Dimensions	Φ 138 x 205 mm			
Colour	White (RAL 9003)			
IP protection	IP65			
Net weight	2.2 Kg			
Gross weight	2.58 Kg / 22,04 Kg (8 units)			
Packaging Dimensions	175 x 175 x 28 mm / 735 x 380 x 315 mm (8 units)			

PCM-20TN

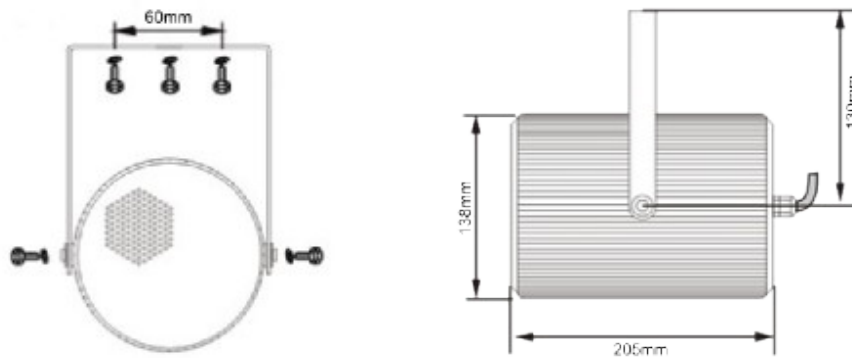
Ref: LDAPCM20TNS02

- The reference axis is perpendicular to the center point of the grid
- The reference plane is perpendicular to the center of the reference axis
- The horizontal plane is perpendicular to the center of the reference plane
- Acoustic measurement environment used: Standard acoustic screen in anechoic chamber

Connection scheme:



Main mechanical views:



Frequency Response:

