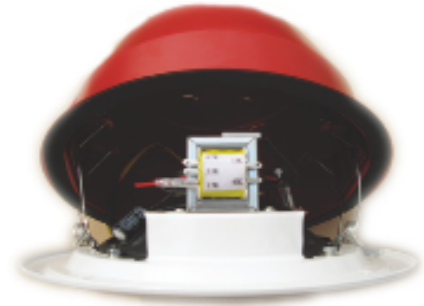


CH-42TN

Ref: LDACH42TNS01

The EN 54-24 ceiling loudspeaker CH-42TN is designed for flush in suspended ceiling and ideal for an even sound distribution. The loudspeaker has a built-in protection to ensure that, in the event of a fire, damage to the loudspeaker does not result in failure of the loudspeaker circuit which is connected. In this way, system integrity is maintained and ensuring loudspeakers connected in the same circuit in other areas can still be used to inform people of the situation.



Features of CH-42TN:

- The loudspeaker can be easily installed by using the mounting spring attached.
- Fire dome is mounted in the speaker using the sliding brackets and the wing nuts.
- Equipped with thermal fuse and heat-resistant, high-temperature wiring
- Compliance with EN54 part 24.
- The loudspeaker is available with or without capacitor.

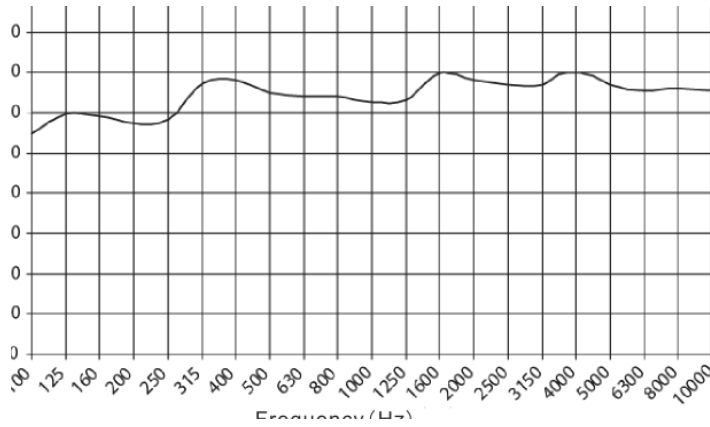
Technical specifications:

Model	CH-42TN
Reference	LDACH42TNS01
Max power	9 W
Rated power	6 W
Power taps @ 100V	6 W / 3 W / 1.5 W / 0.75 W
Power taps @ 70V	3 W / 1.5 W / 0.75 W / 0.375 W
SPL (1 W / 1 m, 100 Hz – 10 kHz)	91 dB
SPL (1 W / 4 m, 100 Hz – 10 kHz)	79 dB
SPL (6 W / 4 m, 100 Hz – 10 kHz)	88 dB
Frequency response (- 10 dB)	180 Hz-20 KHz
Dispersion angle (1 kHz / -6 dB)	175°
Rated input voltage	100 V / 70 V
Rated impedance	1.7 kΩ / 3.3 kΩ / 6.7 kΩ / 13 kΩ
Connection	Ceramic terminal
Dimensions	Φ 181 mm x 129 mm
Diameter of speaker	5"
Weight	1.29 Kg
Colour	White (RAL 9003) and red (RAL 3000)
IP protection grade	IP21 (A type according to EN54-24)
Thermal Fuse	150°

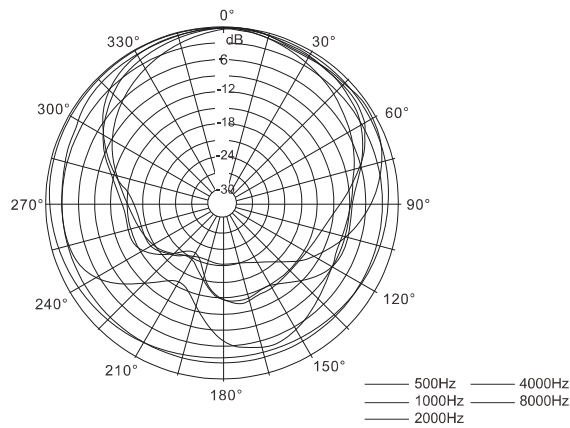
CH-42TN

Ref: LDACH42TNS01

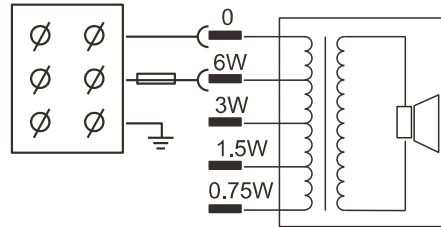
Frequency response:



Polar Diagram:



Circuit Diagram:



Main mechanical views:

