

CH-32TN

Ref: LDACH32TNS01

EN54-24 ceiling speaker with metal housing and 3" for 70/100V lines of high quality for speech and music reproduction. Thanks to the reduced dimensions, it can be installed in limited depth false ceilings.

The CH-32TN speaker comes with a fire dome. It is equipped with ceramic terminals and an isolation fuse to avoid that any damage in the unit could cause a general failure in the speaker line which is connected. These characteristics allow us to maintain the integrity and intelligibility of the system in case of evacuation.



Features:

- EN54-24 certified ceiling speaker.
- Fire Dome
- Excellent for music and speech.
- Easy installation through included springs.

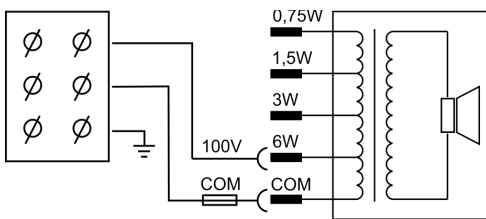
Technical specifications:

Model	CH-32TN			
Reference	LDACH32TNS01			
Speaker diameter	3"			
Max power	9 W			
Nominal power	6 W rms			
Connection @ 100 V	6 W / 3 W / 1.5 W / 0.75 W			
Connection @ 70 V	3 W / 1.5 W / 0.75 W / 0.375 W			
SPL (Pmax / 1m)	91,8 dB			
SPL (1W / 1m)	84 dB +/-3dB			
SPL (1W / 4m)	72 dB			
Frequency response (- 10 dB)	100 Hz - 20 KHz			
Dispersion (-6 dB)	500Hz	1000 Hz	2000 Hz	4000Hz
	180°	180°	180V	140°H 160°V
Nominal voltage	100 V / 70 V			
Nominal impedance	1.7 kΩ / 3.3 KΩ / 6.7kΩ / 13kΩ			
Connection	Ceramic terminal. Max section: 2.5mm ²			
Thermal fuse	150°			
Dimensions	Φ 105 mm x 90 mm			
Installation drill	Φ 90 mm			
Colour	White (RAL 9016) / Red (RAL 3000)			
IP protection grade	IP44			
Net weight	0.5 Kg			
Gross weight	0.65 Kg / 12,4 Kg (18 units)			

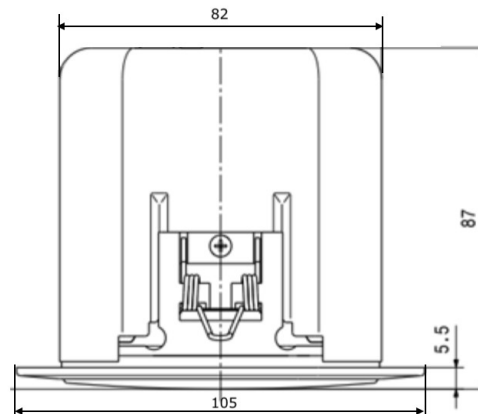
Packaging dimensions	125 x 125 x 130 mm / 390 x 290 x 410 mm (18 units)
-----------------------------	--

- The reference axis is perpendicular to the central point of the grid.
- The reference plane is perpendicular to the center of the reference axis.
- The horizontal plane is perpendicular to the central point of the reference plane.
- Acoustic environment employed: Normalized acoustic screen in anechoic chamber

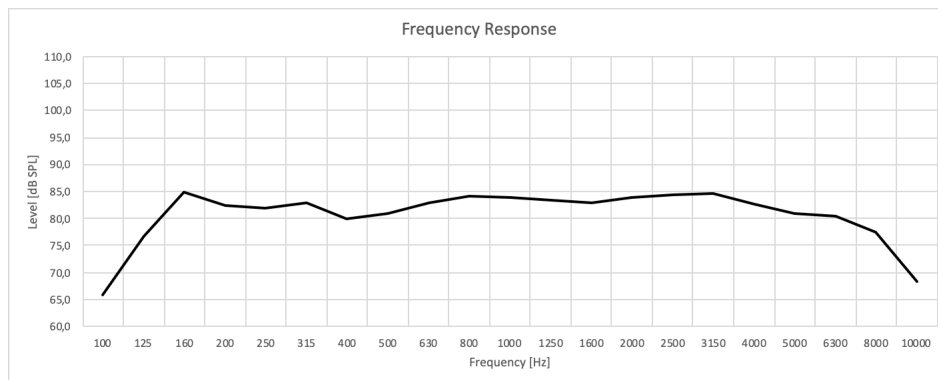
Circuit diagram:



Main mechanical views:



Frequency response:



Active applied equalization: -5,6dB@160Hz, -2,3dB@200Hz

Installation:

1. Cut a hole in the false ceiling with the proper diameter.
2. If needed, remove one or both caps that give access inside the unit.
3. Make the connection and select the desired tapping power. Protect the installation wire using a PG-7 cable guide or a channeling tube (not included with the unit).
4. Lock the cover using the lateral screws. Then, compress the anchor springs until they reach the back cover and introduce the unit in the hole made in step 1.