



DS-50T

The DS-50T of LDA is a 5" full range wall-mounted and anti-vandal speaker for professional installations. Its high efficiency makes it the best solution to the message broadcast in the voice bandwidth.

The DS-50T has a strong and simple design, giving it the enough insulating and rigidity . It is suitable for indoor/outdoor installations. It includes a protection fuse and two drill holes in order to insert metallic tubes belonging to the electrical wiring.

It obeys UNE-EN 60849 Standard and the British Standard: BS 5839 due to fire proof, protection fuse and ceramic Input/Output connectors.



Applications:

- Shopping Centres
- Stations
- Corridors and service zones
- Airports
- Jail-houses
- Parking

TECHNICAL SPECIFICATIONS	
NOMINAL POWER	6W RMS
FREQUENCY RESPONSE	250Hz- 10kHz
SENSITIVITY	92dB +/- 3dB (1W, 1m)
SPEAKER IMPEDANCE	8 Ω
ENCLOSURE	Iron (Fe)
COLOUR	Grey, RAL 7035
INPUT LINE	70/100 V
TRANSFORMER (70/100V)	3 / 6 W @ 100V
POWER SELECTOR	0.75 / 1.5 / 3 / 6 W @ 100V 0.375 / 0.75 / 1.5 / 3 W @ 70V
DRIVER	1 x 5" driver

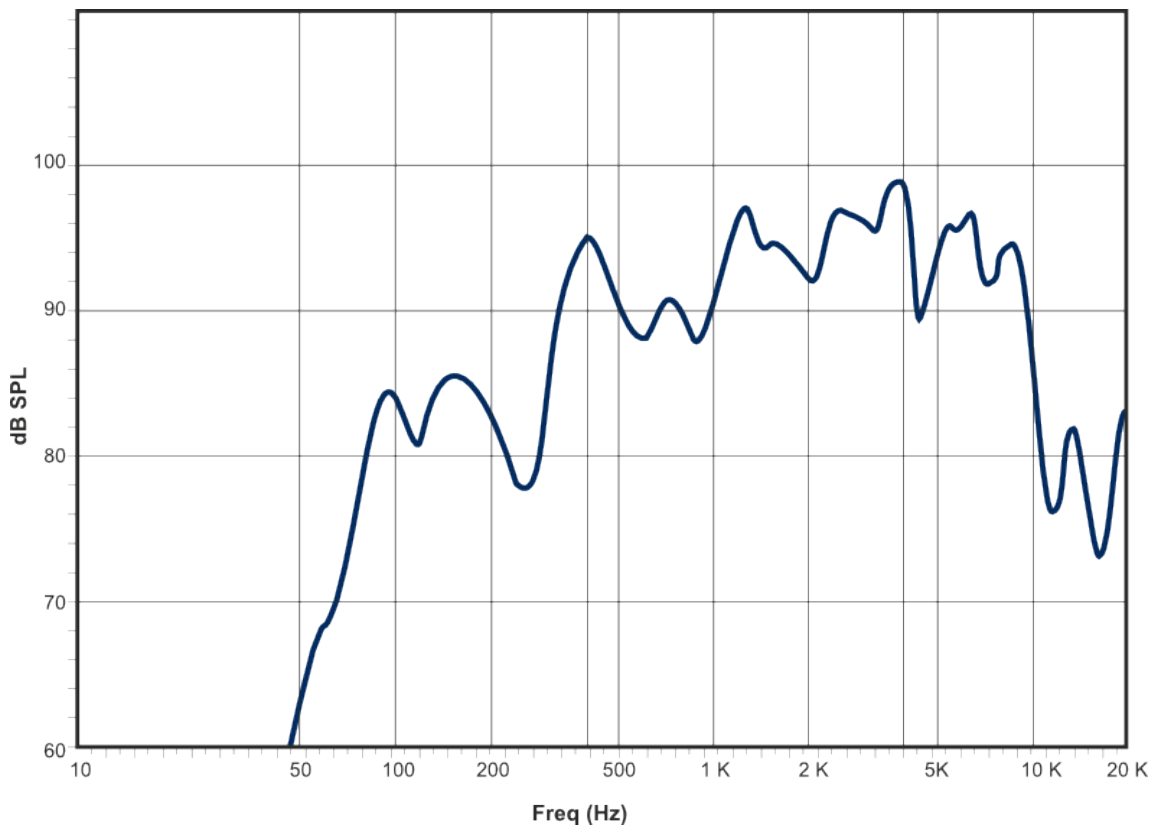
DS-50T

TECHNICAL SPECIFICATIONS

PROTECTION	10A Fuse
BRACKET (angled)	Fixed on the wall or ceiling
DIMENSIONS (height x width x depth)	160 x 160 x 60 mm
WEIGHT	1.4 kg

Additional information about the product:

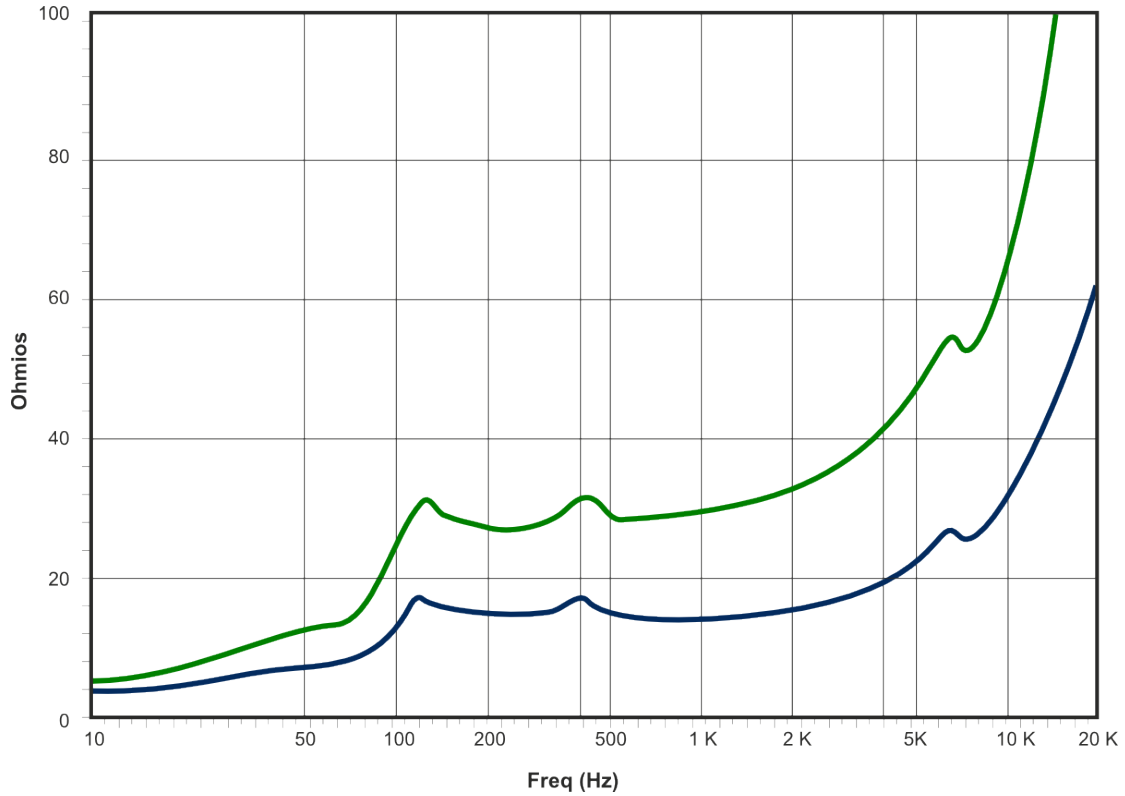
Frequency response:



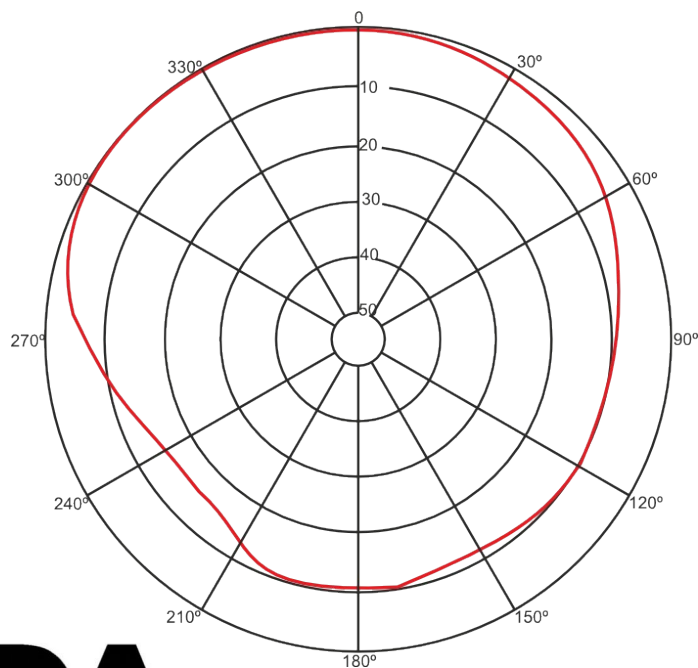
WALL MOUNTED SPEAKER

DS-50T

Impedance for 8 Ohms:



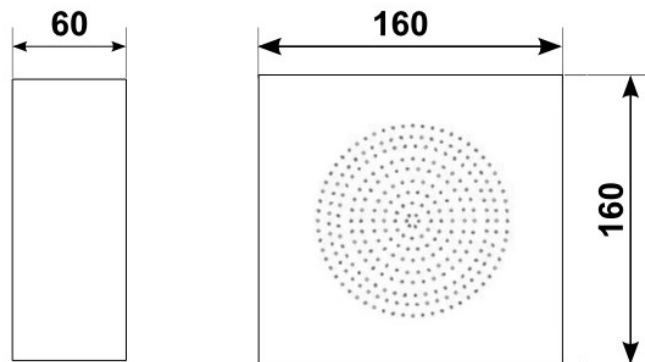
Horizontal & Vertical polar diagram Frequency: 1 kHz



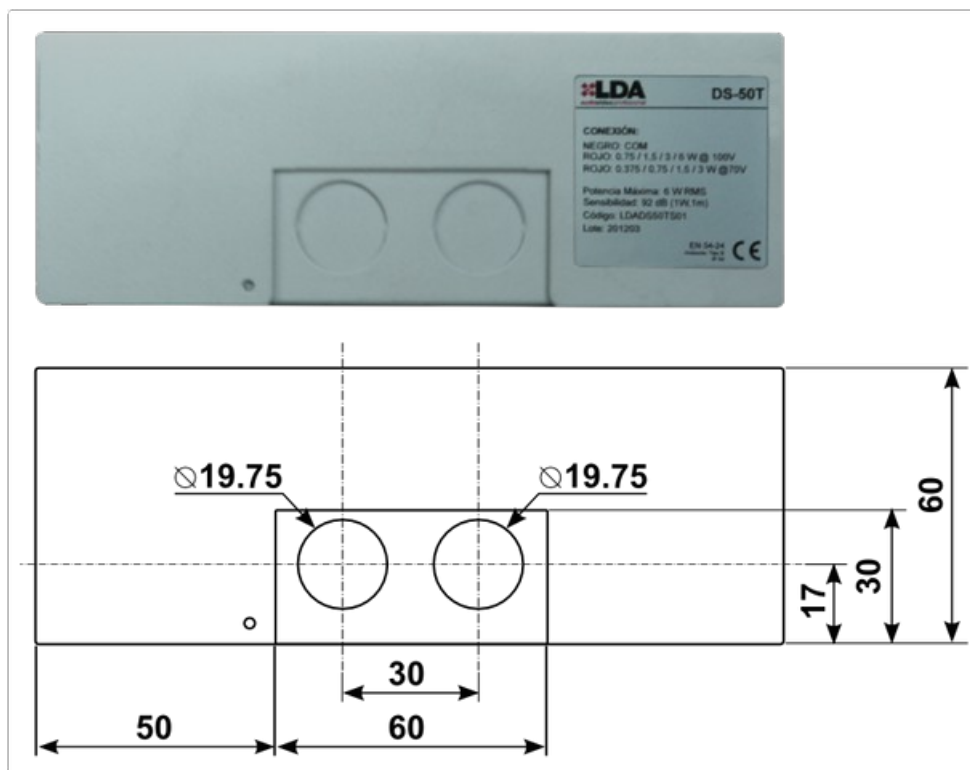
DS-50T

Mechanical drawings:

Dimensions in mm

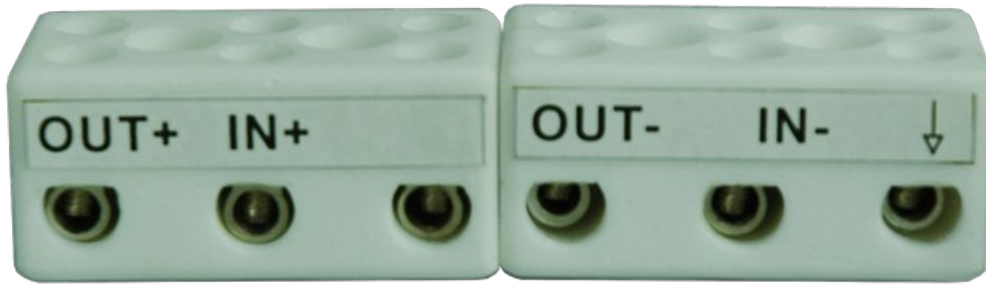


Connection:



WALL MOUNTED SPEAKER

DS-50T



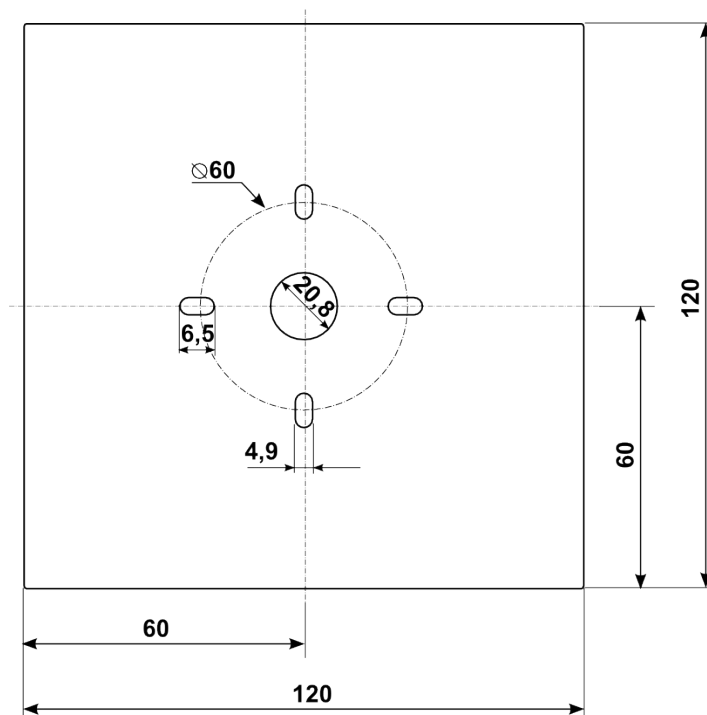
Ceramic connectors for Input / Output

The connection to the giving power taps is made by a 6W transformer, which has 4 power outputs: 0.75 / 1.5 / 3 / 6 W @ 100V.

The 70V line will give the following power outputs: 0.325 / 0.75 / 1.5 / 3W.

Installation:

The dimensions to fix it by screws or by a compatible brackets are as follow:



DS-50T

SPECIFICATIONS FOR ENGINEERS AND ARCHITECTS

The DS-50T will have square shape and contain a 5" coaxial driver. It will be installed such vertical as horizontal position. The beam-width will have a reach around 120° -5dB. It will have a power selector (ceramic type) for 70V/100V lines and the power taps will be 0.75 / 1.5 / 3 / 6 W @ 100V.

The box will be made of metallic material (Fe) for fire protection. The front will be made in iron and contain the grille built-in. Both parts will be designed to vandal proof, fire proof and with corrosion protection. The IP protection will be IP-54 at least. It will obey UNE-EN 60849 Standard.

The dimensions will be: 160 x 160 x 60 mm (height x width x depth). It will be fixed on the wall or ceiling by means of screws, which will be placed at the rear side of the enclosure.

The weight will be 1.4 Kg.

All the versions of this product will comply the CE mark.

Warranty 2 years

Product Code LDADS50TS01

Sound test:

1. Power

Pink noise is introduced and amplified through whole band-width under IEC 60268-5 Standard. When the maximum power of the speaker is reached, the noise is cut. Then, the speaker is checked. It must not present visible damages or loss of features after 100 hours of working.

2. Sensitivity, frequency range and impedance.

Several sinusoidal impulses with different frequencies are introduced since 1W power up to the nominal impedance of the speaker. The average sound pressure level (dB-SPL) is measured to 1 metre of distance and the speaker is placed in an anechoic environment.

According to IEC 60268-11 Standard.