

# CA-46T



The CA-46T of LDA is a small size speaker which has a high performance and excellent sound quality of music and voice playback. It is compound by a 4" speaker and a low lost transformer for 70 or 100V PA lines.

The CA-46T is perfect in order to install it into clean environment thanks to the IP55 isolating range and the sealed cover.

This speaker is made in ABS. The metallic grille is transparent acoustically with anti-corrosive protection.

## Features:

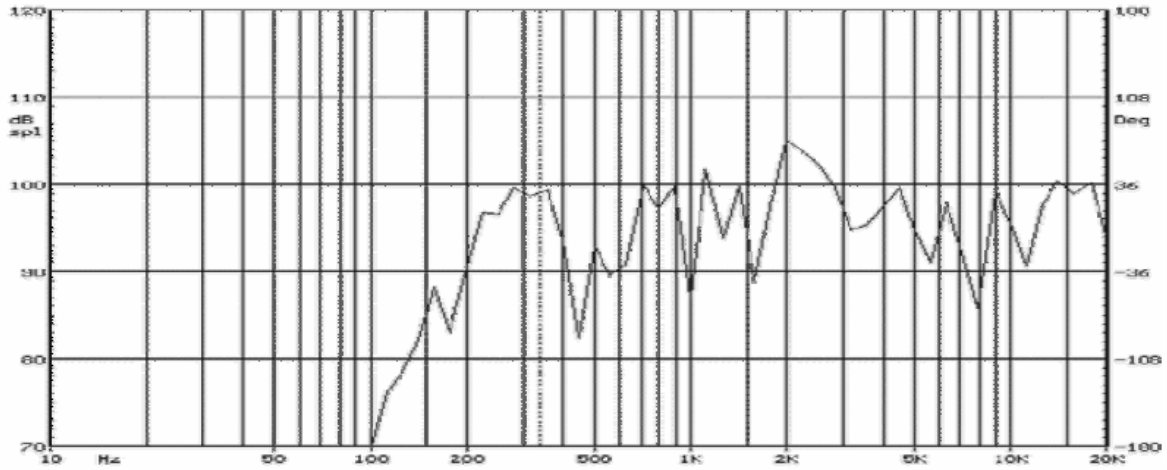
- Sealed enclosure is made in ABS with UV protection
- Excellent quality of music and voice playback due to 4" speaker
- Temperature range -30 to 60 °C
- IP 55 protection range and IP 65 protection range in the zone inside ceiling.
- Used for hospitals, laboratories, outdoor, wet environment, etc.
- Low lost transformer for 70/100V PA lines.

## TECHNICAL SPECIFICATIONS

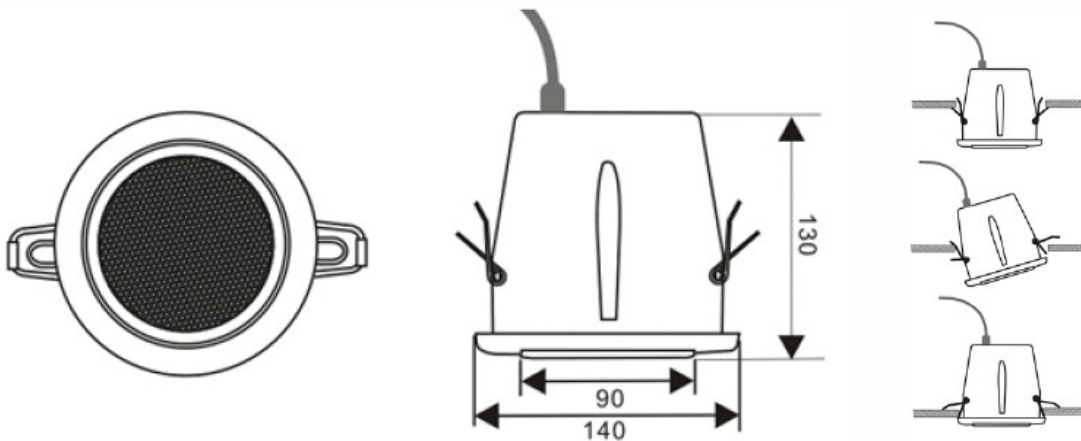
NOMINAL POWER	6 W RMS
FREQUENCY RESPONSE	150Hz- 18 kHz +/- 5dB
SENSITIVITY	91 dB +/- 3 dB (1W, 1m)
COLOUR	RAL 9016
TRANSFORMER (70/100V)	6/3 W @ 100V 3/1,5 W @ 70V
BRACKET	Springs
MATERIAL	ABS, metallic grille
DIMENSIONS (diameter x depth)	140 x 130 mm
DRILL HOLE FOR MOUNTING	125 mm
WEIGHT	0,9 kg

# CA-46T

## Frequency response:



## Main views:



## Dispersion. Polar diagrams:

